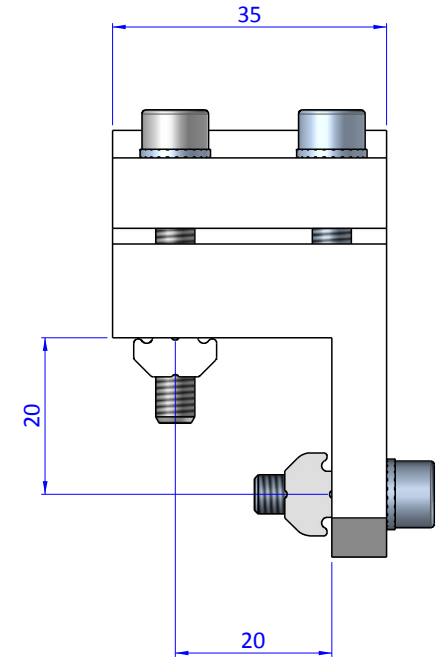
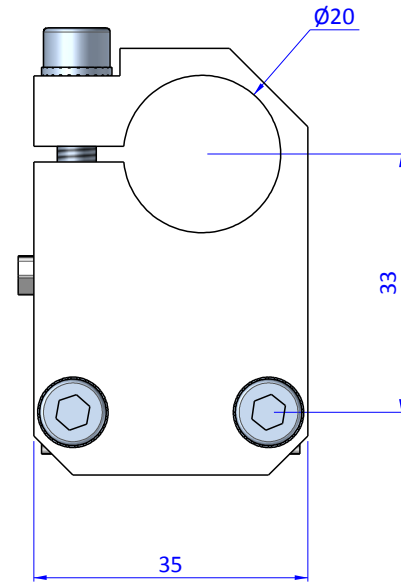
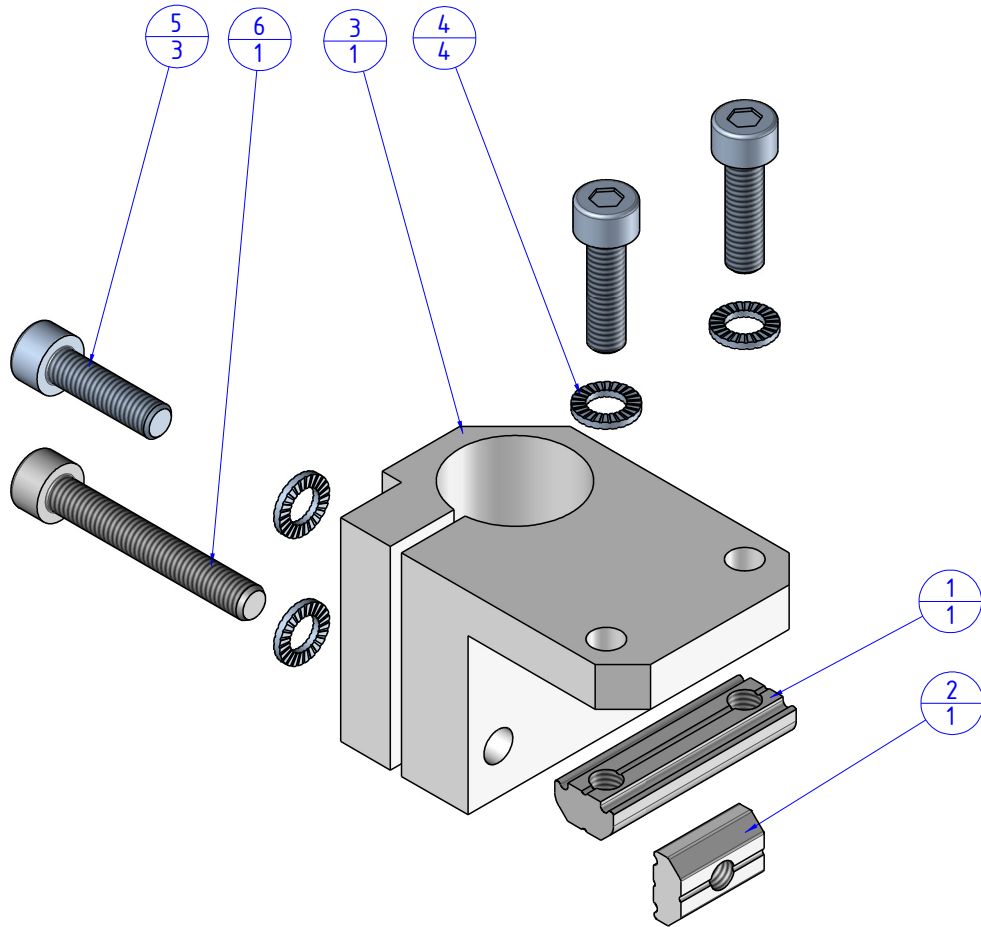


THE PROPERTY OF THE DRAWING IS ESTABLISHED BY LAW. IT IS FORBIDDEN TO PRODUCE OR SHOW IT TO THIRD PARTY, WITHOUT A WRITTEN AGREEMENT.

| Item | Name        | Qty. |
|------|-------------|------|
| 1    | CA.GWP.5.25 | 1    |
| 2    | CA.GWP.5U   | 1    |
| 3    | KSW.20.JU   | 1    |
| 4    | R.5.SCH     | 4    |
| 5    | V.TCE5x18   | 3    |
| 6    | V.TCE5x35   | 1    |



Format A3

UNI 936-76

|                   |  |               |         |              |
|-------------------|--|---------------|---------|--------------|
|                   |  | DESIGNED FROM |         | REVIEW       |
|                   |  | FPSERVICES    |         | A            |
| GENERAL TOLERANCE |  | DATE          | WEIGHT  |              |
| UNI - ISO 2768    |  | 30/04/2016    | 0,103kg |              |
| CLASSE f          |  | CODE          |         |              |
|                   |  | CA.KSW.20.JU  |         | CA.KSW.20.JU |